



A704

MEDIUM INTENSITY RUNWAY LIGHT

Meets traditional airfield requirements in an easy-to-install, low maintenance package.

- ICAO and FAA compliant
- Third party certified
- Long-lasting batteries
- Available in three battery sizes

Applications

Medium-intensity runway edge & threshold (MIRL)
Simple approach lighting
NVG operations
Emergency or temporary lighting

Advanced Design

- Improved optical efficiency with latest LEDs
- High-efficiency monocrystalline solar panels
- Reduced standby power consumption
- Multiple battery sizes for best value-for-performance

Easy Installation

Limited crew, no trenching, no airfield interruptions. Just place the A704 and it emits light dusk-to-dawn while maintaining its battery. Optional wireless control provides on-demand operation from up to 4 km (2.5 mi) away.

Low Maintenance

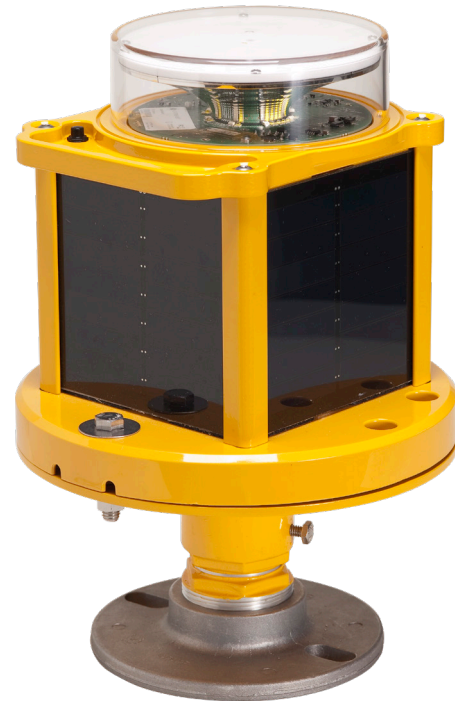
The A704 integrates solar panels, battery, electronics, and LED light source into a compact, stand-alone unit requiring minimal maintenance for 7 years.

Reliable

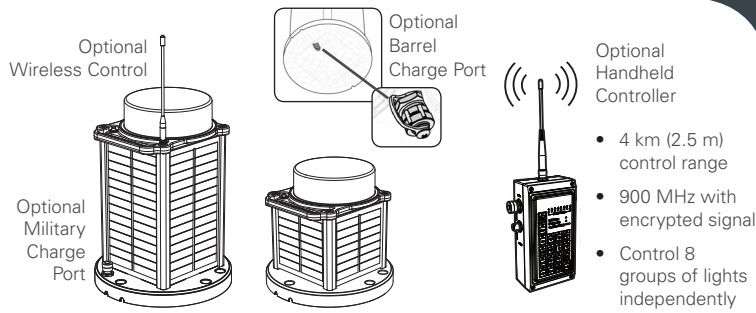
The Energy Management System (EMS) monitors all operations to provide consistent output in the harshest environments. Testing to ICAO, FAA and MIL specifications ensures high performance for many years.

Trusted

With thousands of installations worldwide, Carmanah solar LED lights operate year-round at over 500 airports and military bases.



REPRESENTED IN YOUR REGION BY:



A704

MEDIUM INTENSITY RUNWAY LIGHT

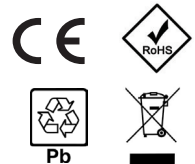
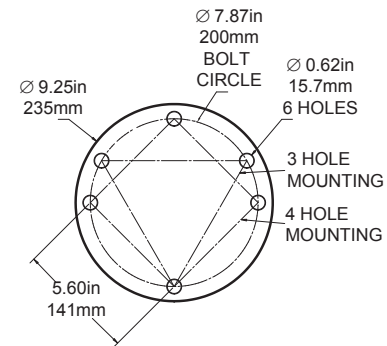
- 4 km (2.5 m) control range
- 900 MHz with encrypted signal
- Control 8 groups of lights independently

SPECIFICATIONS

Optical	High-power LEDs meet IES LM-80 lumen maintenance, ensuring consistent photometrics for life of product
	ICAO, SAE25050 (FAA), and FAA EB 67 compliant chromaticity
	NVG-compatible infrared (IR) LEDs
Energy Collection	Steady-on and flash
	High-efficiency cells with blocking diodes
	Maximum power point tracking with temperature compensation (MPPT-TC) for optimal energy collection in all solar conditions
Energy Storage	Pure-lead VRLA AGM battery with manufacturer operating range -65 to 80 °C (-85 to 176 °F)
	On-board battery status
	Designed for 5+ year battery life; Replaceable and recyclable
Energy Management System (EMS)	Optional port for battery charging and cabled operation
	Intelligent, microprocessor EMS
	On-board diagnostics and datalogger
Automatic Light Control (ALC)	Push button interface for local control
	Autonomous (dusk to dawn), Temporary, and Emergency Modes
	ALC adjusts output intensity in response to unusually low amounts of sunlight to ensure continued operation
Construction	Premium, UV-resistant polycarbonate lens (jet blast resistant glass lens available)
	Powder coated aluminum and polycarbonate chassis with integrated handle
	Waterproof, vented battery compartment
Temperature	-30 to 50 °C (-22 to 122 °F) Optimal
	-40 to 80 °C (-40 to 176 °F) Maximum
Wind & Ice Loading	644 kph (400 mph) wind; 0.03 psi (22 kg/m ²) ice
Shock & Vibration	MIL-STD-202G and MIL-STD-810G
Ingress	EN 60529 IP 67 immersion
	MIL-STD-202G immersion & damp heat cycling
	MIL-STD-810G rain & salt fog
Compliance	ICAO MIRL (Annex 14, Vol. 1, 5.3.9.9)
	FAA L861 MIRL (AC 150/5345-46, EB67)
	FAA L861E & L861SE MIRL (AC 150/5345-46, EB67)
	FAA L860 LIRL (AC 150/5345-46, EB67)
	FAA L863 Portable (AC 150/5345-50)

WEIGHTS AND DIMENSIONS

COMPACT		STANDARD	
Weight	4.9 kg (11 lb)	Weight	6.7 kg (15 lb)
Battery (60X)	4.2V, 15 Ahr	Battery (96E)	4.2V, 24 Ahr
LARGE			
Weight		Weight	10.5 kg (23 lb)
		Battery (200BC)	4.2V, 50 Ahr



CONFIGURATION

MODEL	COLOUR ▼	BATTERY SIZE ▼	LENS ▼	CONTROL ▼	CHARGE PORT ▼
A704	WHITE / IR (WW) WHITE / YELLOW / IR (WY) RED / GREEN / IR (RG) GREEN / IR (GG) YELLOW / IR (YY) RED / IR (RR)	COMPACT STANDARD LARGE	POLYCARBONATE GLASS	NON-WIRELESS (NA) WIRELESS (RF)	NONE (NA) CHARGE PORT (CP) MILITARY CHARGE PORT (MP)

Example: A704-WW-Compact-RF-NA

Specifications subject to local environmental conditions.
Specifications may be subject to change.

US and International patents apply. Other patents pending.
"Carmanah" and Carmanah logo are trademarks of Carmanah Technologies Corp.

All Carmanah products are manufactured in facilities that are certified to ISO quality standards.

Carmanah is a Canadian public corporation - TSX:CMH
© 2018, Carmanah Technologies Corp.
Document: AVIA_A704 Spec Sheet_Rev1